

# The world of mobility - welcome to ThyssenKrupp Access Solutions



ThyssenKrupp Access Solution



**ThyssenKrupp**



Perfect synthesis  
between form and function.

# Gulliver

Gulliver and Orion are elevators that adapt to your needs. Carefully designed layouts and high-tech components meet the criteria of absolute quality. With Gulliver and Orion you can finally treat yourself to all the style and comfort that you want, enhancing your environment with an extremely captivating and contemporary design object. Compact and functional, they are designed to be inserted in any environment because each elevator is custom designed and built.

Gulliver and Orion are available in two models, Orion for masonry shaft or Gulliver with a complete metal structure. Masonry shaft application allows you to camouflage the elevator leaving only the doors visible: sliding automatic or swing, blind or panoramic. The metallic structure will become an element of design within the environment. Inside and out, the hot galvanised structure, will withstand the most extreme environmental conditions.





# & Orion

Orion with Masonry Shaft



Gulliver with Shaft



Orion Sliding Doors



Gulliver Sliding Doors



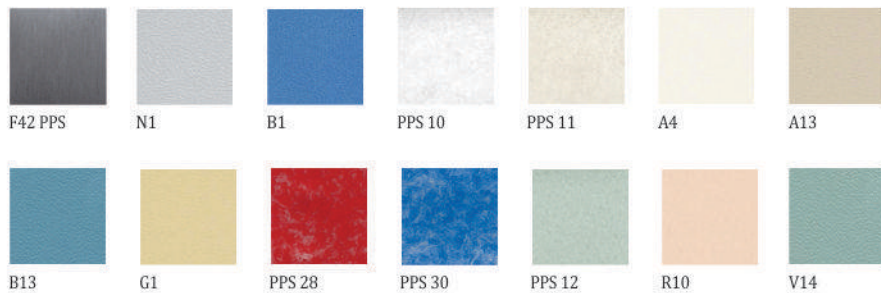
# Mobility that adjusts.

# Gulliver & Orion

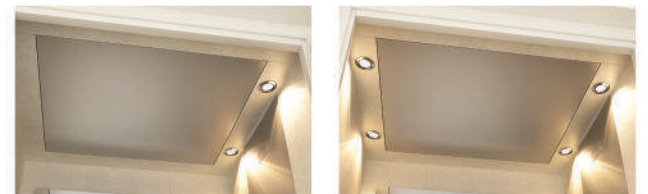
Energy efficient in use, you can of course use the lift to get not only you from one floor to another but also for shopping, laundry, furniture etc. Gulliver and Orion easily fit into an existing space, such as a closet or in the hall beside the stairs. Our individual solutions offer an ideal combination with your personal living concept, providing you an increased quality of life.



## CABIN WALLS / SKIN PLATES



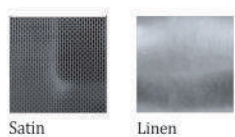
## LIGHTING SYSTEMS



## SHAFT PROFILES



## CABIN WALLS / STAINLESS STEEL



## CABIN FLOOR / PVC





## HANDLES



**CLASSIC**  
Chrome-plated brass or gold effect

**MODERN**  
Stainless Steel effect

**TECHNO**  
Satin Stainless Steel

## SHAFT AND PANELS



OUTER SHAFT VIEW



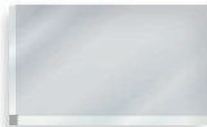
INNER SHAFT VIEW



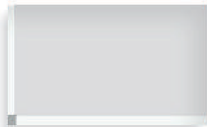
Smokey Grey



Smokey Satin



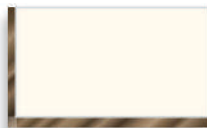
Transparent



Opaline



Half Reflecting



Abet or MDF White

## FLOOR AND CABIN DOORS



**STEEL RAL PAINTED SWING DOORS**  
All the RAL colours. Blind, with a window or panoramic.



**STAINLESS STEEL SWING DOOR**  
Satin, lino effect, checks or scotch brite. Blind, with a window or panoramic.



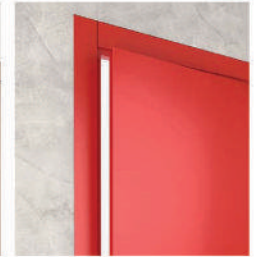
**ALUMINIUM SWING DOOR**  
Natural anodised, bronze effect or nickel effect. Panoramic.



**ALL-GLASS SWING DOOR**  
Crystal. Panoramic.



**WOODEN SWING DOOR**  
Oak, mahogany, walnut or chestnut. Blind.



**EI FIRE-RESISTANT SWING DOOR**  
Blind. 60 or 120 minutes



**SLIDING AUTOMATIC**  
RAL painted, satin stainless steel, skinplate



**FOLDING AUTOMATIC**  
RAL painted, satin stainless steel or lino effect

Automatic sliding or folding doors, allow you to have automatic controls from inside the cabin, for operation identical to that of a traditional elevator.

## DATA SHEET ORION

<b>Installation</b> In masonry shaft with internally smooth shaft wall
<b>Car layouts</b> Platform with roof Basic cabin Cabin with automatic doors
<b>Run</b> Max 15.1 meters (platform only, cabin max 12 meters) Number stops max 6
<b>Power supply</b> 230 ± 10% V, 50 Hz single phase with ground conductor
<b>Motor</b> Single phase 230 V, 50 Hz; 1.8 -2.2 Kw
<b>Capacity</b> Max 400 Kg
<b>Speed</b> 0,15 m/s with soft start / stop
<b>Guide</b> T 70 section
<b>Width</b> Minimum wall 660 mm
<b>Movement</b> Lifting by means of hydraulic cylinder with stem and take-up chains
<b>Controls</b> "Hold to run" or "Automatic control" (enclosed cabins only)
<b>Safety devices</b> Emergency stop button on board Locks with safety switches for door closing Auxiliary electrical system in case of power failure with return to floor and door release Instantaneous overspeed governor Load control device Limit switches with automatic floor levelling
<b>Compliance</b> EC, TUV, corresponding to M.D. 236/89 EN 81-41* Machinery Directive 2006/42/EC EMSD Section E, Part 6* AS 1735. 15 Person restrict use non auto controlled AS 1735. 16 Person restrict use auto controlled AS 1735. 15-2002  *Hold to run only



## DATA SHEET GULLIVER

<b>Installation</b> Shaft frame consists of cold folded galvanized steel Sheeting powder coated in RAL
<b>Shaft Cladding</b> Made with VISARM 10/11 shatter-proof glass or with blind panels
<b>Car layouts</b> Platform with roof Basic cabin Cabin with automatic doors
<b>Run</b> Max 15.1 meters (platform only, cabin max 12 meters) Number stops max 6
<b>Power supply</b> 230 ± 10% V, 50 Hz single phase with ground conductor
<b>Motor</b> Single phase 230 V, 50 Hz; 1.8 -2.2 Kw
<b>Capacity</b> Max 400 Kg
<b>Speed</b> 0,15 m/s with soft start / stop
<b>Guide</b> T 70 section
<b>Width</b> Minimum 730 mm
<b>Movement</b> Lifting by means of hydraulic cylinder with stem and take-up chains
<b>Controls</b> "Hold to run" or "Automatic control" (enclosed cabin only)
<b>Safety devices</b> Emergency stop button on board Locks with safety switches for door closing Auxiliary electrical system in case of power failure with return to floor and door release Instantaneous overspeed governor Load control device Limit switches with automatic floor levelling
<b>Compliance</b> EC, TUV, corresponding to M.D. 236/89 EN 81-41*, Machinery Directive 2006/42/EC EMSD Section E, Part 6* AS 1735. 15 Person restrict use non auto controlled AS 1735. 16 Person restrict use auto controlled AS 1735. 18-2002  *Hold to run only





# Elegance

Stainless Steel



Tobacco



Azur



Writable



# Cabin

Dark



Panoramic



Light

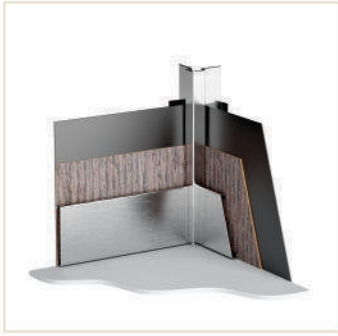


Shaft Indoor

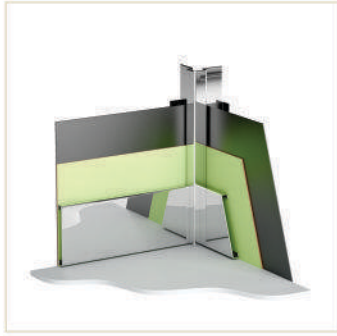


# Elegance Cabin - Finishes

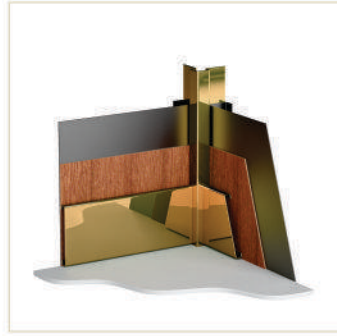
Cabin Coner (or) Corner Satin



Cabin Coner Mirror



Cabin Coner Gold Mirror



## Elegance Cabin - Finishes

### Home Elevators / Vertical platform lifts

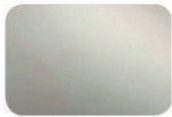
#### STAINLESS STEEL

For cabin inner walls, cabin elements and finishes of sliding automatic doors.

Cabin elements are: Central Panel, horizontal baseboard, vertical profiles, ceiling frame.



Inox Satin



Inox Mirror



Inox Gold Mirror

#### LAMINATES - PLAIN COLOURS

For cabin inner walls.



405 - Porcelain White



411 - White



414 - Sand



463 - Pom Pom Yellow



861 - Pop Yellow



441 - Cedar Green



858 - Pervinca Azur Blue

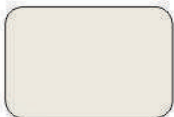


472 - London Grey

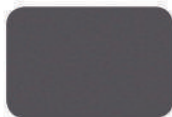
#### MAGNETIC

For cabin inner walls.

Magnetic sheets are used as display panels for setting magnets in the didactics and communication field. The Grey 879 colour is proposed as common chalk-blackboard; the White 406 colour can be used as display panels for dry-markers.



406 - Magnetic Cream

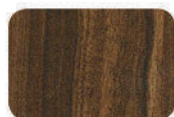


879 - Grey

#### LAMINATE WOOD

For cabin inner walls.

The Wood collection offers a variety of new opportunities to those architects and designers seeking a technical material with the performance of laminate, whilst maintaining the warmth and variety of wood, with a surprising visual richness and tactility.



358 - Crea Walnut



381 - Douglas Vanilla



383 - Europe Oak



387 - Douglas



338 - Douglas Ice



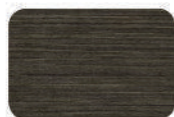
606 - Arctic Pine



656 - Tennessee Oak



1381 - Trasversal Oak



1382 - Trasversal Tobacco



1609 - Pavese Cherry



1611 - Fey Cherry



1636 - Italian Walnut



# Elegance Cabin - Finishes

## LAMINATES - METAL LIKE

For cabin inner walls.

Material consisting of layers of paperboard impregnated with thermosetting resins and of a surface sheet of anodised aluminium, bonded together by means of heat and high pressure.



880 - Mirror S.Steel like



881 - Gold Mirror S.Steel like



1920 - Saturn Titanium



1921 - Venus Titanium

## Elegance Cabin - Finishes

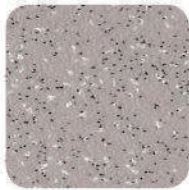
Home Elevators / Vertical platform lifts

### FLOOR

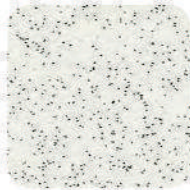
PVC



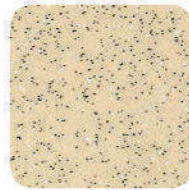
Black



Grey



Ice



Sand

ROCKSOLID



Maltese Black



Dove Tail



White Star



Sunset Beach

OTHER

Prepared  
for  
customer  
application

### CEILING

Suspended ceiling with LED lighting in three different configurations.

Metal elements in the same finishes as cabin elements (Satin; Mirror; Gold Mirror).



Plain Steel



Opal



Starry Sky



# Comfort You can feel.

A home has many faces and technology should adjust to this individual needs. People's notion of individuality and freedom constitutes the basis of our HE range, offering you individual solutions that fit your personal environment.





Options you can multiply.

# HE 6

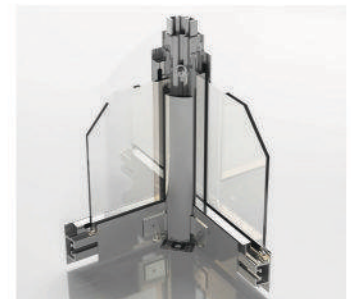
With our HE6 model range we are aiming to provide maximum comfort combined with a considerable amount of convenience. Extremely modular in its design this range underlines our approach to combine state-of-the-art technology with individual style. Amongst others, space saving and flexible installation both inside and outside are the main advantages of the HE6 range.



## SHAFT PROFILES

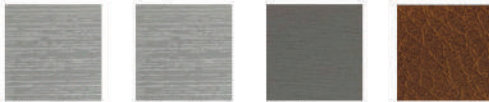


- Fast assembly – no lengthy installation work
- Aluminium shaft – resistant to corrosion



- Multiple shaft and glass colours – allowing adaptation to the designs around them
- Interior and exterior applications – a variety of possible uses

## CABIN WALLS / STEEL PLATES



White 923    White Striped PPS 3    Titanium F12PPS    Leather DP4

## CABIN WALLS / STAINLESS STEEL



Checks    Inox Mirror n.7 AISI 304 2R    Satin Charcoal AISI 304    Scotch Brite AISI 304 2B    Satin Finish Grit 240 AISI 304 2B

## CABIN FLOOR / PVC



Marbled Turtle    Marbled Grey    Marbled Black    Altro Cloud    Altro Midnight    Altro Black

## CABIN FLOOR / MARBLE GRIT



Rocksolid 607    Rocksolid 607    Rocksolid 630

## LIGHTING SYSTEMS



IL 200



IL 203



IL 204



4 spot lights



IL 221



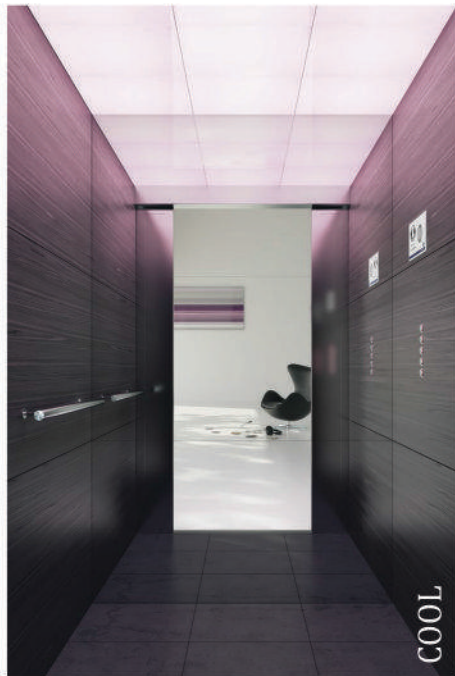
Design you can appreciate.


# HE 7

The new HE 7 Series stands for individuality and a modern lifestyle. They are a piece of art in personalized tailor-made design: The puristic style cool combines elements of stainless steel, glass and wood. Noble, the classic form with dark oak and walnut woods, stands for elegance

and tradition. In the Romantic style cabin floral patterns are combined with varnished wood with raised moulding. The cabin design Opulent pays homage to individuality with its extravagant and exclusive materials like cushioned leather.

-  ceiling / frosted/satined glass
-  wall / black ebony
-  floor / dark marble grit



-  ceiling / dark oak veneered wood
-  wall / raised hardwood marquetry veneer panels
-  floor / dark oak solid wood

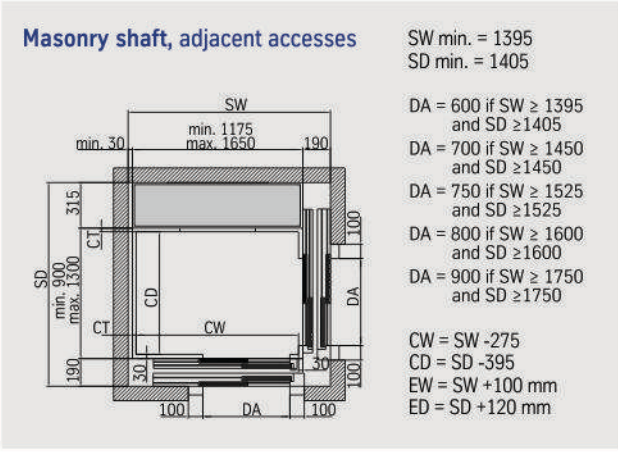
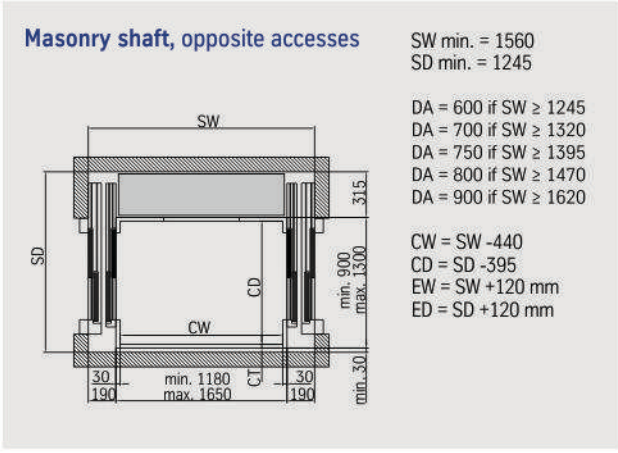
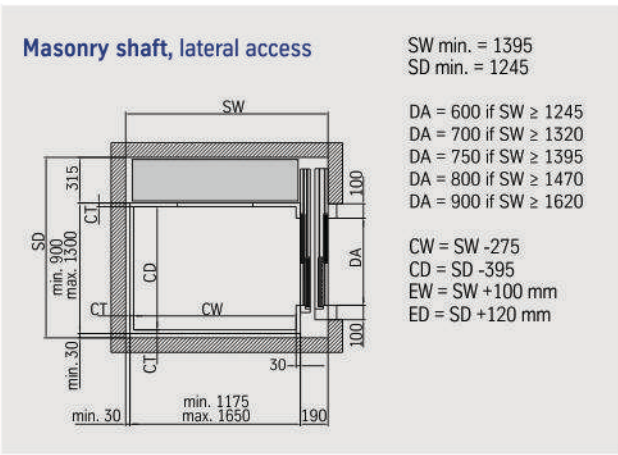
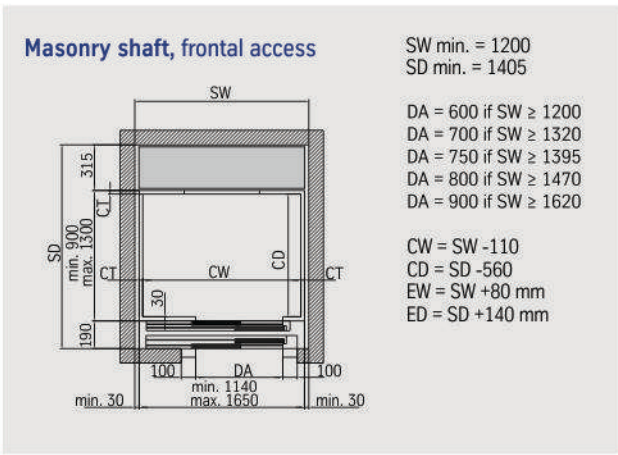
-  ceiling / varnished wood with raised moulding
-  wall / textile wallpaper floral print
-  wall / textile wallpaper stripes
-  floor / printed pattern oak-like wood



-  ceiling / wood panel gold leaf finish
-  wall / chesterfield leather pads
-  floor / dark marble grit



Data Sheet	HE 6	HE 7
Installation	The machine must be installed in a completely smooth shaft with no protrusions or recesses. Options: aluminium shaft	
Run	Maximum travel: 18 m Maximum number of stops: 6 Maximum number of services: 12 Maximum accesses for each stop: 2	
Power supply	230 ± 10% V, 50/60 Hz single phase with grounding conductor	
Motor	three-phase 230 V, 50/60 Hz; 1.5 kW.	
Capacity	max 400 kg	
Speed	0.15 m/s with acceleration/deceleration ramps	
Guide	Minimum pit depth: 140 mm Minimum overhead clearance: 2500 mm T 70 section	
Width	minimum wall width 1200 mm.	
Movement	Ropes and counterweight system driven by a gearless motor	
Commands	Push to run	
Safety devices	emergency stop button on board, UPS system to guarantee the machine operation in case of power failure, instantaneous overspeed governor	
Compliance	CE, TÜV, EN 81-41 Machinery Directive 2006/42/EC	



Further options available.  
Where not directly specified, measurements are in millimeters



# Freedom and active living ...

# Flow

Flow Stairlift fits most staircases, straight, around corners or even spiral, on either side of the staircase. This compact Stairlift looks simple on the outside but the technology on the inside is extremely ingenious.

Patented unique ASL (Advanced Swivel and Levelling) Technology allows an installation on the narrowest stairs while maintaining a comfortable chair size. With the arm and foot rests folded, Flow takes up little space when parked, and can even be parked "round the corner". Thanks to the vertical start options, Flow can also be used with only minimum space available in front of the first step, keeping doors and doorways free. Installed within a few hours, the Flow is your answer to years of freedom and extended quality of life.

The Flow stairlift has achieved many prestigious industry awards for design and innovation and is the number 1 stairlift in terms of quality and value for money.

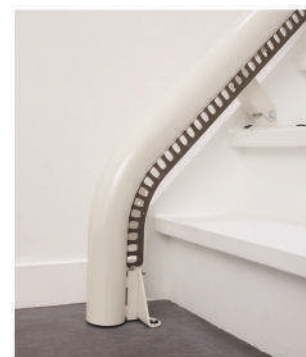
- Adjusted to your height
- Patented Swivel Technology
- Discreet, foldaway design
- A range of upholstery options
- Quick and efficient installation



Thanks to proven monorail concept and patented ASL Technology the Flow rotates to the most optimal and safe position during the ride.

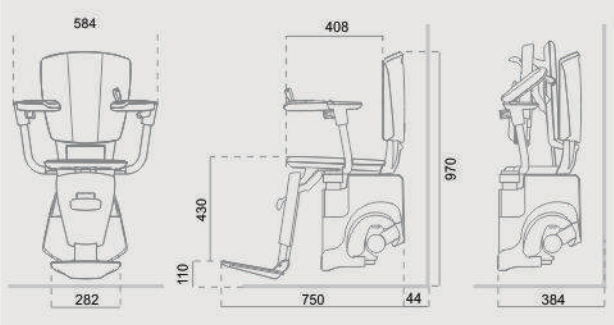


When the lift is folded up, there is still plenty of space for other stair users.



Different vertical start options enables installations even closer to doors.

## Dimensions Flow



where not directly specified, measurements are in millimeters



... in your own  
four walls.

# Levant

Levant chairlift has been specially developed for straight staircases. With its modern chair and rail design and its reliable technology it is ideal for use in private households.

The entry model of the Levant chairlift range is introduced in 2008 and has been awarded with two design awards. A special Levant model for outdoor application is also available. With its reasonable price, Levant provides excellent value for money. Levant, standard equipped with manual swivel, has several options like padded seat, heavy duty drive, intermediate park position and a hinged rail.

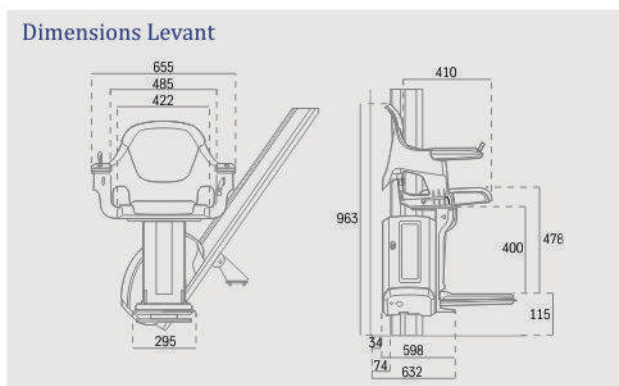
- Space-saving folding seat
- Rail is fitted to the stairs and not on the wall
- Stable, ergonomically shaped arm rests with integrated retractable seatbelt
- Optional call and send stations
- Quick and efficient installation
- Outdoor model available



The hold-to-run joystick ensures easy and safe operation.



The aluminium rail has a slim design which gives the Levant a modern look. When the lift is folded up, there is still plenty of space for other stair users.



measurements are in millimeters



Remote call and send station with push button for more comfort.



The automatic hinged rail for installations close to doorways or corridors.





**elite**  
ELEVATORS

K.Ramanathan & Co.  
**ELITE ELEVATORS**  
info@EliteElevators.in | www.EliteElevators.in  
M : +91 9361 61 3131 / 9840 93 0721